


Special Features

- Economical version
- Safety pressure gauge with pressure relief at back side
- Ranges from 0 to 400 bar
- Standard Followed : ISO 5171

Application

- Air / Gas Pressure regulators
- Filter-Regulator-Lubricator (FRL) Units
- Oxygen, Acetylene, Hydrogen, LPG, CO₂, Nitrogen & Argon
- Welding equipment & plants, cutting & allied processes

Specifications
Standard Version : 50 mm

Accuracy	:	±2.5% of F. S.
Ambient temperature	:	- 20°C to + 65°C
Process temperature	:	Max. 65°C
Operating pressure range	:	75% of Scale Value
Over pressure limit	:	≤ 100 bar : 125% of Max. Scale Value > 100 to ≤ 600 bar : 115% of Max. Scale Value > 600 to ≤ 1600 bar : 110% of Max. Scale Value

Case	:	Steel, Powder coated / painted (Push Fit Type)
Bourdon	:	Copper Alloy
Socket	:	Copper Alloy
Movement	:	Copper Alloy
Joints	:	Alloy brazing / soldering

Dial	:	Aluminium, black graduation on white background
Pointer	:	Aluminium, black coloured, fixed
Window	:	Polycarbonate glass

Temperature effect :

The variation of indication caused by effects of temperature is to be calculated by below formula; which is to be added in the specified accuracy while measurement :- Formula : $\pm 0.04 \times (t_2 - t_1) \%$ of F. S.

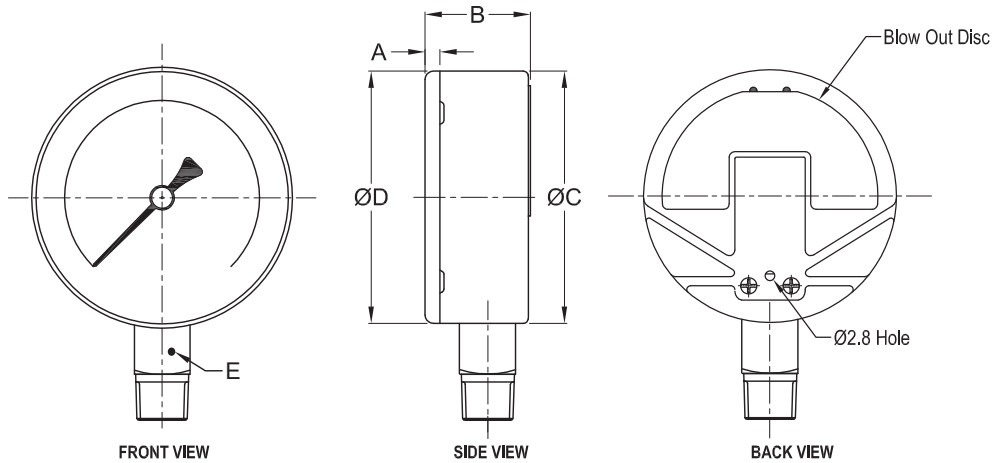
where t₁ = reference temperature (+20°C) and t₂ = ambient temperature in °C.

Range Table

Note : We offer National / International Scales like kPa, MPa, bar, psi, kg/cm² & Dual Scale like kPa with psi, kPa with bar, bar with psi or Equivalent scales as per the requirement can be provided on request. Following are the example tables for kg/cm² & psi scales.

Pressure

Single Scale (kg/cm ² or bar)					Dual Scale (psi with kg/cm ²)					
0/2.5	0/16	0/100	0/30	0/2	0/220	0/16	0/600	0/40	0/3000	0/200
0/4	0/25	0/160	0/60	0/4	0/300	0/20	0/1000	0/70	0/4000	0/280
0/6	0/40	0/250	0/100	0/7	0/400	0/28	0/1500	0/100	0/5000	0/350
0/10	0/60	0/400	0/150	0/10	0/500	0/35	0/2200	0/160	0/6000	0/420

Dimensions - Standard Version


NS	A	B	ØC	ØD	E	Weight in gram (With Box)
50	2.7	28	50	55	14	105.0

Notes : • Drawings are not to scale. • All Dimensions are in mm. • NS = Nominal Size.

How To Order
Example
Basic Model
Code

AAR

Nominal Size (mm)
C 50 mm

X

Type of Mounting
2 Direct bottom entry

X

Gauge Connection
2NM 1/4" NPT(M)

XXX

Range

Refer range table

 0/10
kg/cm²
Optional Extras
FK Integral dampening screw (brass)

PW Five point calibration certificate

RH Custom designed dial

TB Helium leak test

SG Oxygen service

B0 Case without pressure relief at back side

B1 Case with yellow color painting (RAL 1036)

XX

Ordering Example: AAR . X . X . XXX . 0/10 kg/cm² . XX

Note : Minimum order quantity shall be 100 nos, please contact factory for delivery and dial designs.

Note : Specifications and dimensions given in this product catalogue represents the state of engineering at the time of printing .
Modifications may take place and materials specified may be replaced by others without prior notice.